

Barkmate BM4200 Dog Training System

Operation Guide



SAFETY INFORMATION

Aggressive Dogs

DogMaster Trainers highly recommends consulting a dog trainer when using an E collar on aggressive dogs. Do not use this product to correct dogs that are aggressive towards other dogs or people. If you are unsure if this product is appropriate for your dog, please consult your veterinarian or certified trainer.

Proper Fitting of the Collar

It is important to have a tight-fitting collar. A loose-fitting collar can move around on a dog's neck. The dog may not feel the stimulation when the collar is loose and the contact probes could rub on the dog's skin and cause irritation.

Duration of Wear

Do not allow the dog to wear the collar for more than 10 hours a day. Leaving the collar on the dog in same spot for an extended period can cause skin irritation. If the dog is wearing the collar for long periods, occasionally move the contact area a little bit so that the probes are not staying in the same spot all the time.

Finding the Best Stimulation Level

Every dog reacts to the stimulation differently. It is important to find out the right level of stimulation for your dog. Always start from the lowest setting (1) and increase slowly until you can see that the dog reacts to the stimulation.

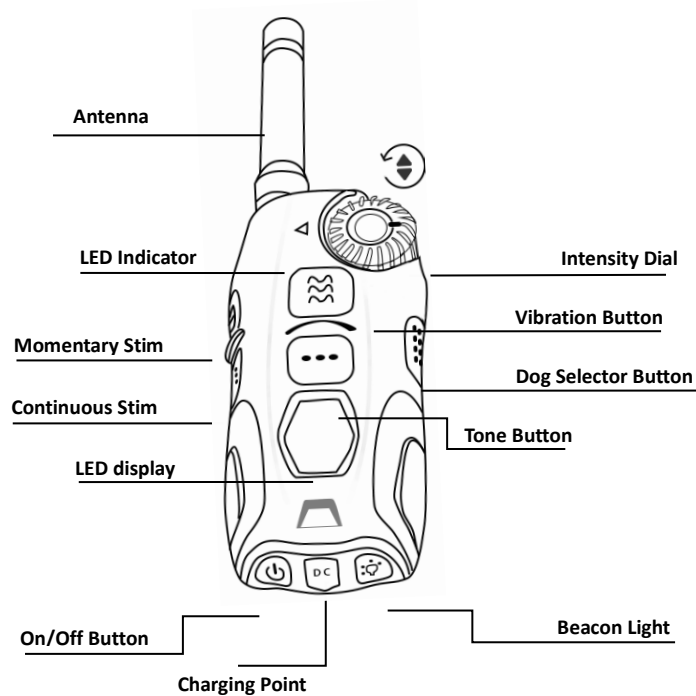
COMPONENTS



Features

- Range up to 1,200 metres
- Train up to 2 dogs from the one transmitter
- 99 levels of static correction
- Momentary and Continuous stimulation mode
- Tone and Vibration warning
- High visibility beacon light
- Rheostat intensity dial to change output
- LED display for intensity levels, dog ID, stimulation mode and battery status
- Waterproof & rechargeable system

TRANSMITTER BUTTON FUNCTIONS



On/Off button

To turn the remote transmitter on

- hold down the On/Off button for 2 seconds.
- The LED will start with "01" which is the Dog's ID.

To turn the remote transmitter off

- hold down the On/Off button for 2 seconds

Dog Selector Button

Move up to choose dog 1. The LED will display "1"

Move down to choose dog 2. the LED will display "2".

Adjust Intensity Output Level

Rotate the Intensity Dial to adjust the intensity output from levels 0 to 99.

Press the Intensity Dial to lock the output level – a small lock icon will show on LCD screen.

Press the Dial again to unlock.

Vibration Button

Delivers a non-stimulation vibration for a maximum of 8 seconds.

Tone Button

Pressing the Tone Button will give a non-stimulation warning beep noise.

LED Indicator

Low battery and working status indicator

Beacon Light

Press once - the collar will flash once every 2 seconds.

Press again - the light will stay on.

Press again - the light will turn off.

Momentary Stimulation Button

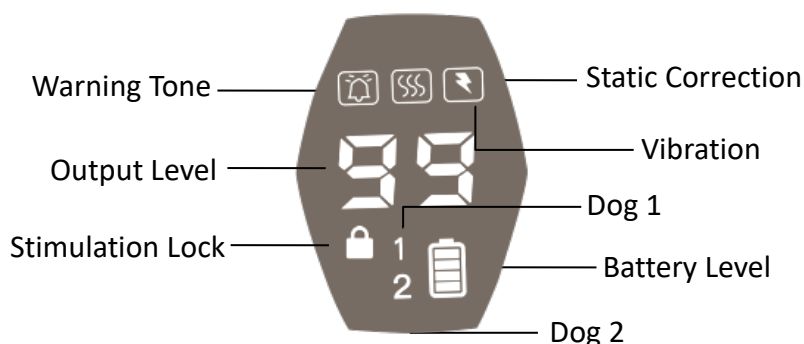
Delivers a quick, 1 second static stimulation.

Continuous Stimulation Button:

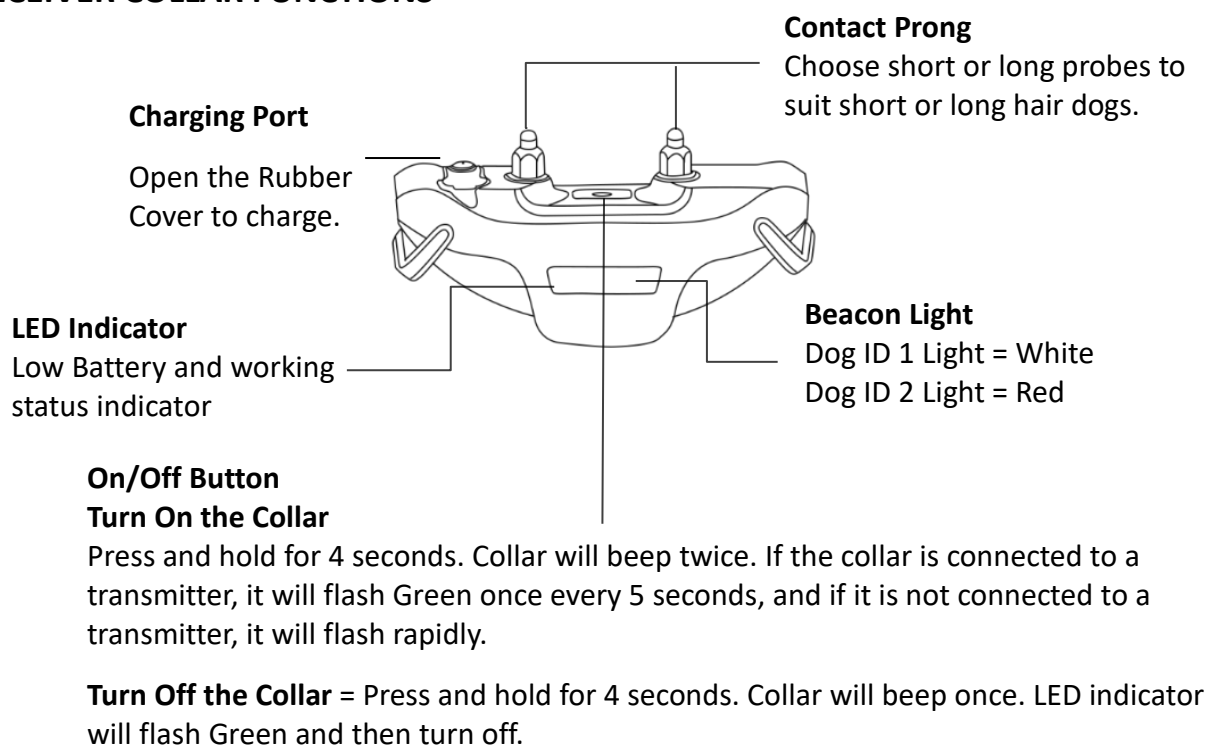
Delivers continuous static stimulation for a maximum 8 seconds.

LCD display

Shows stimulation mode, stimulation level, stimulation lock, dog ID and battery level.



RECEIVER COLLAR FUNCTIONS

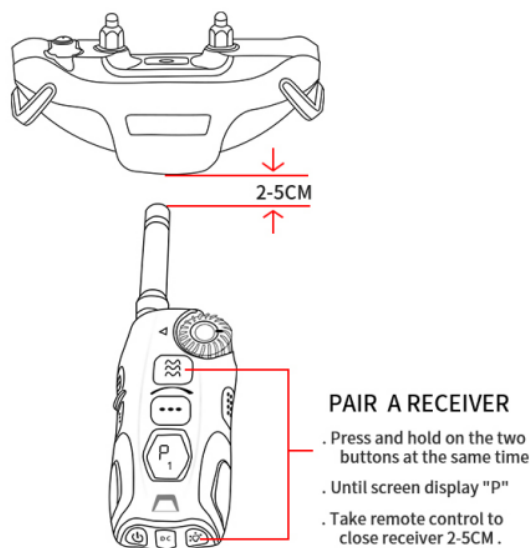


Spanner Tool

Use to tighten or change contact probes

SETTING UP MULTI DOG SYSTEM

Pair a receiver collar



Only Turn 1 collar In at a Time to Connect.

1. Turn on the Receiver Collar. Press and hold the On/Off Button for a few seconds. The Receiver Collar Indicator Light will come on and you should hear 2 beeps. (The indicator light should flash green rapidly, if not, unpair the collar then repeat step 1)

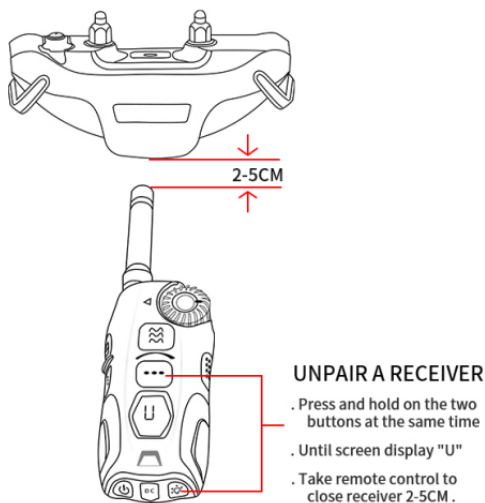
Turn on the Handheld Transmitter. Press and hold on the "⏻" button until LED display turns on.



2. Use the Dog Selector button to switch to the Dog ID (1 or 2) you wish to pair.

3. Have the transmitter and collar right next to each other. Press and hold the **Vibration button (🔊) and **Beacon Light button** (💡) at the same time until the LED display is "P". (Do not release the two buttons)**

4. After a few seconds of holding the two buttons, the collar should beep 5 times. It means the collar is paired to the transmitter successfully. The collar should flash Green once every 4-5 seconds. Then release the buttons.

Unpairing a Receiver Collar

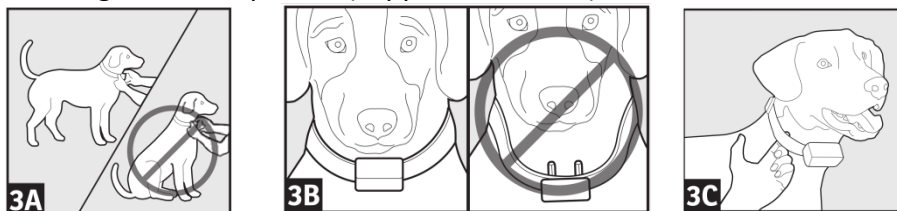


- 1: Turn on the transmitter and the receiver collar which you want to unpair (only one collar each time).
- 2: Put the transmitter right next to the receiver collar. Press and hold the **Tone Button**  and **Beacon Light Button**  at the same time, until the LED displays “U”. (Do not release the two buttons)
- 3: The collar should beep 5 times. The LED light should also flash rapidly means the collar is unpaired from the transmitter and ready to pair with a new transmitter.

FITTING THE RECEIVER COLLAR ON THE DOG

To ensure a proper fit, please follow steps below:

1. Fit the collar on the dog while it is standing (3A). Put Collar in the middle of the dog’s neck. Make sure the contact probes have a good contact with the dog’s skin (3B). For a long-haired or thick-coated dog, use the longer contact probes (supplied in the kit) and trim the hair a little bit around the contact area.



2. The Receiver Collar should fit tightly but not over-tight on the dog. Allow one or two fingers to fit between the strap and the dog’s neck (3C).
3. Allow the dog to wear the collar for several minutes, and then recheck the fitment.

FINDING THE CORRECT STIMULATION LEVEL

The Barkmate BM4200 has 99 levels of stimulation output. The rheostat intensity dial controls the stimulation level. Always start from the lowest level and work your way up. The appropriate level can be found when your dog starts looking around. The stimulation level may vary depending on the training situation. Always lock the stimulation level before the training to avoid accidentally turning the intensity dial.

CHARGING

1. Lift the rubber cover and connect the corresponding charge connector to the DC Charging Point.
2. Plug the USB Adaptor into a power source.
3. The system should be fully charged after about 2 hours

Charging the Receiver Collar

The Red LED light flashing = Low Power

The Red LED light is on = Charging

The Green LED light is on = Fully Charged (Charger still connected)

Charging the Transmitter

The Red LED Light flashing = Low Power

The Red LED light is on = Charging

The Green LED light is on = Fully Charged (Charger still connected)

GENERAL TRAINING TIPS

1. Make training sessions short and positive (between 10-15 minutes long for each session.)
2. Train one dog at a time.
3. During the initial training sessions work with the dog in a familiar outdoors environment.
4. Use a long leash fastened to a non-metallic collar to help with training.
5. Be consistent. Give your dog a tone and/or vibration, stimulation with each misbehave.
6. Teach the dog a with command before reinforcing the command with the remote transmitter.
7. Do one command at a time. Do not use the training system for commands that the dog has not learned.
8. Do not over-correct the dog. Use the least amount of stimulation possible during the training.
9. During training look for all the positive changes in the dog's behavior and promptly provide ample praise and reward.
10. If you notice one situation in which your dog misbehaves repeatedly, set up this situation as a training session. This will dramatically increase your chances of success.
11. DO NOT use Dog Training Collar to correct or eliminate any form of aggressive behaviour. If your dog exhibits such behaviour, please contact a professional dog trainer.

FREQUENTLY ASKED QUESTIONS

What is the minimum age of the dog before I should use this device?

It is recommended that you start using a training collar on a dog that is at least 6 months old. Your dog should have done some basic training like "sit", "come" or "stay".

Can I use a leash with the training collar on?

DO NOT attach a leash to the training collar. You may use a separate non-metallic collar on your dog's neck and attach to a leash. Make sure the extra collar does not interfere with the contact prongs.

How long does the battery last?

The length of time the battery lasts between charges depends on how often you use the device and the intensity level that has been selected. Both the Receiver Collar and the Handheld Transmitter have built in 2-hour fast charge lithium batteries.

TROUBLESHOOTING

No stimulation when a transmitter button is pressed.

- Make sure the collar is turned on and fully charged.
- If the collar is on, adjust the 'dog selected' button to change dog ID.
- If the collar is still not working, unpair the collar and pair again.

The stimulation seems too high, not strong enough or there is no response from the dog

- Check the fitment of the collar to ensure that it is tight enough.
- Make sure the contact probes have a good contact with dog's skin. If the hair blocks the contact probes, trim the hair or use longer contact probes.

- Adjust the intensity level.
- Check the battery indicator, if the battery is low, the collar would not have enough output.

The training collar doesn't have range, or the range is significantly reduced

- Check if there is a big metal structure around – colourbond fence, tinted roof, electric cables etc. Operate the system away from these structures.
- If you are in heavily covered area, try holding the transmitter vertically above your head and/or move to higher ground.

Avoiding skin irritation

- Skin irritation may occur due to wearing the collar for an extended period of time (over 10 hours).
- Leaving the collar on the dog too long may cause 'pressure necrosis'.
- Check your dog's neck for irritation and wash its neck each time after using the collar.
- Clean the contact probes with alcohol every week.